

***Feed Chopper  
for the  
Complete Feed Ration 650***

**Parts  
Manual**



# ***Feed Chopper for the Complete Feed Ration 650***

## **Parts Manual**

Highline Manufacturing Limited  
HWY #27, P.O. Box 307  
Vonda, SK S0K 4N0  
Canada  
Phone: 306.258.2233  
Fax: 306.258.2010  
Toll Free: 1.800.665.2010

E11479V1

This Page Left Blank

## **Table of Contents**

1.0 Feed Chopper Housing

2.0 Rotor Mounting

3.0 Rotor & Knives

4.0 Drive Components

5.0 Clutch

6.0 Belt Tensioner

7.0 Guarding

8.0 Decals



## Parts Information - Feed Chopper for CFR 650

---

Page 2 of 2

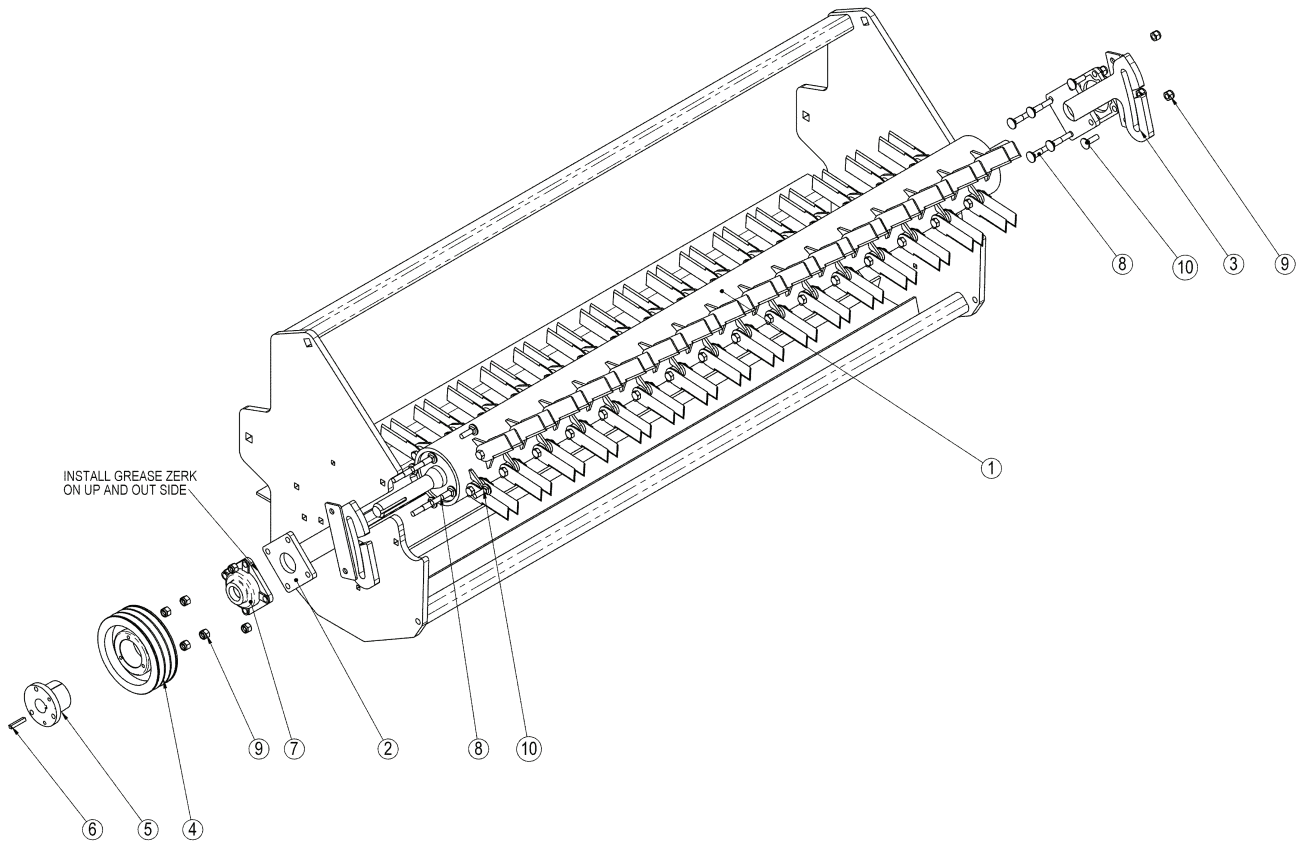
### 1.0 Feed Chopper Housing

From Serial No: FC65000011

ITEM NO.	PART NO.	DESCRIPTION	QTY.
1	40695	FRAME,MOUNT,CHOPPER	1
2	40696	COVER,CHOPPER	1
3	E9990	BRKT, DOOR SUPPORT R	1
4	E9991	BRKT, DOOR SUPPORT LEFT	1
5	33449	BOLT,CARR,3/4x2-1/2,UNC,GR5,ZP	4
6	33678	BOLT,CARR,1/2X1-3/4,UNC,GR5,ZP	4
7	31175	NUT,NYLOCK,3/4,UNC,ZP	4
8	31173	NUT,NYLOCK,1/2,UNC,ZP	6
9	33873	PIN,HITCH,.2X3.625,DBL_LOOP,ZP	2
10	31070	BOLT,HEX,1/2X2,UNC,GR5,ZP	2
11	31236	WASHER,FLAT,1/2,ZP	6
12	92127	COVER,VINYL,3/8X1-1/2	2

---

2.0 Rotor Mounting



## Parts Information - Feed Chopper for CFR 650

---

Page 2 of 2

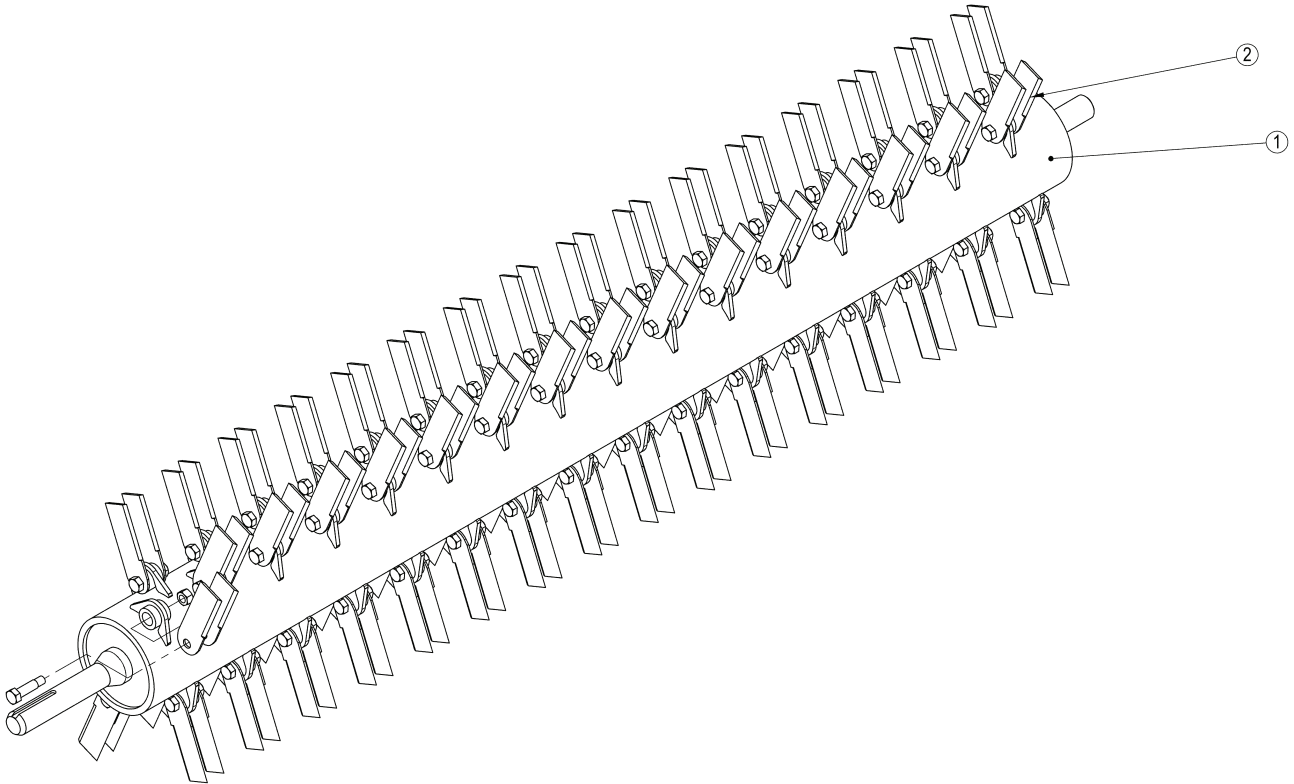
### 2.0 Rotor Mounting

From Serial No: FC65000011

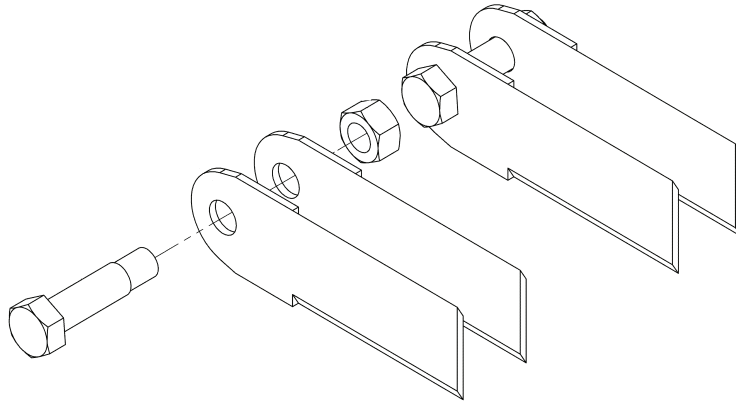
ITEM NO.	PART NO.	DESCRIPTION	QTY.
1	41160	ASSY,ROTOR KEYED,KNIVES	1
2	41159	BEARING MOUNT LH	1
3	41158	BEARING MOUNT RH	1
4	33974	DRV,SHEAVE,3B,7.4,Q1	1
5	34885	BUSH,Q1,1-3/8X5/16 KEY	1
6	E11464	KEYSTOCK,5/16X1-7/8	1
7	92094	DRV, BRG, FLANGE, 1-3/8"	2
8	31010	BOLT,CARR,1/2X2-	8
9	31173	NUT,NYLOCK,1/2,UNC,ZP	12
10	31008	BOLT,CARR,1/2X1-	4

---

3.0 Rotor & Knives



41160\_A



42355

## Parts Information - Feed Chopper for CFR 650

---

Page 2 of 2

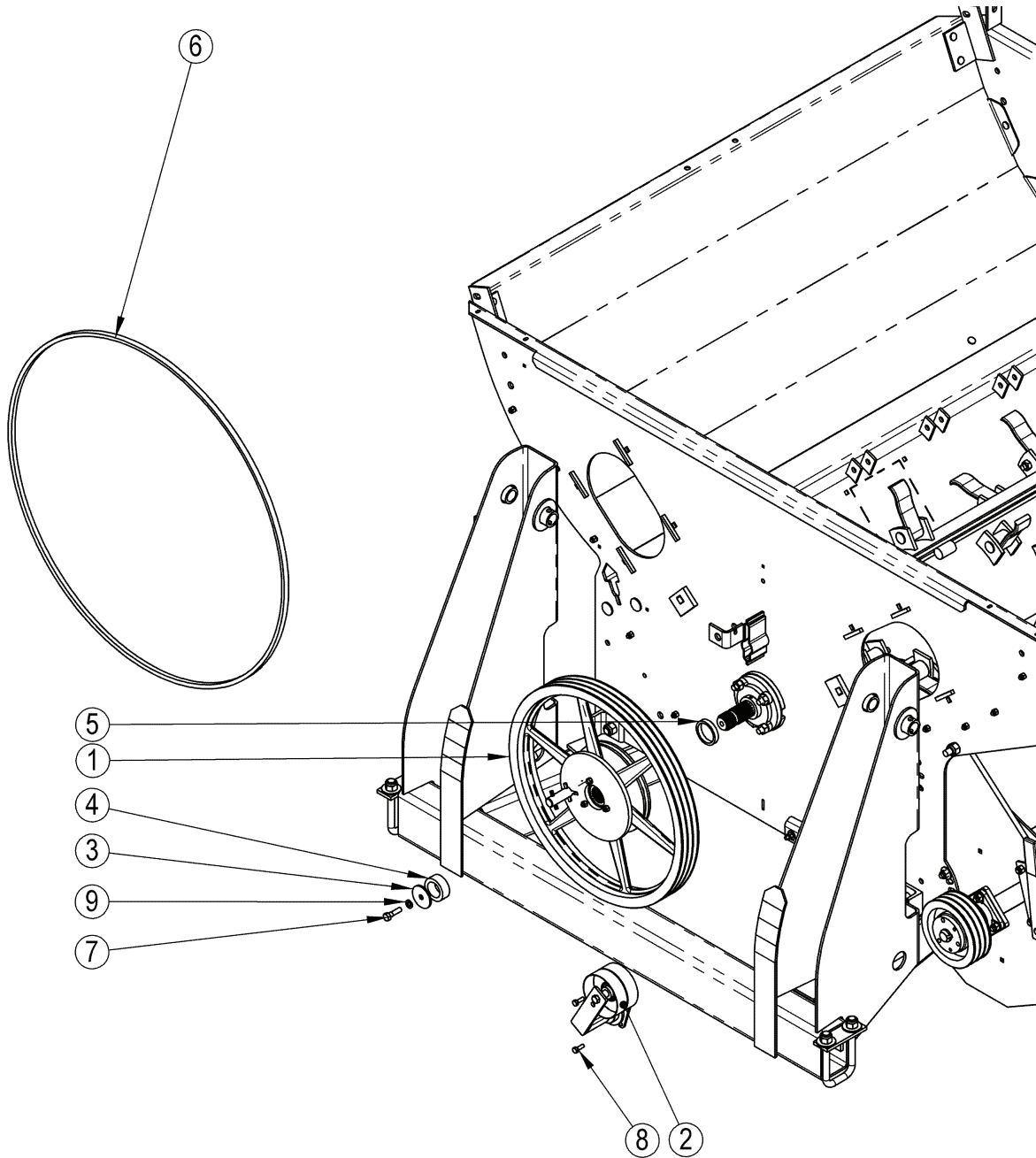
### 3.0 Rotor & Knives

From Serial No: FC65000011

ITEM NO.	PART NO.	DESCRIPTION	QTY.
1	41157	ROTOR CHOPPER KEYED	1
2	42355	ASSY,KNIVES (Contains 4 knives,2 bolts, 2 nuts)	32
	40627	ASSY,KNIVES, 128 BLADES (Contains 128 knives,64 bolts, 64 nuts for complete rotor)	1

---

4.0 Drive Components



## Parts Information - Feed Chopper for CFR 650

---

Page 2 of 2

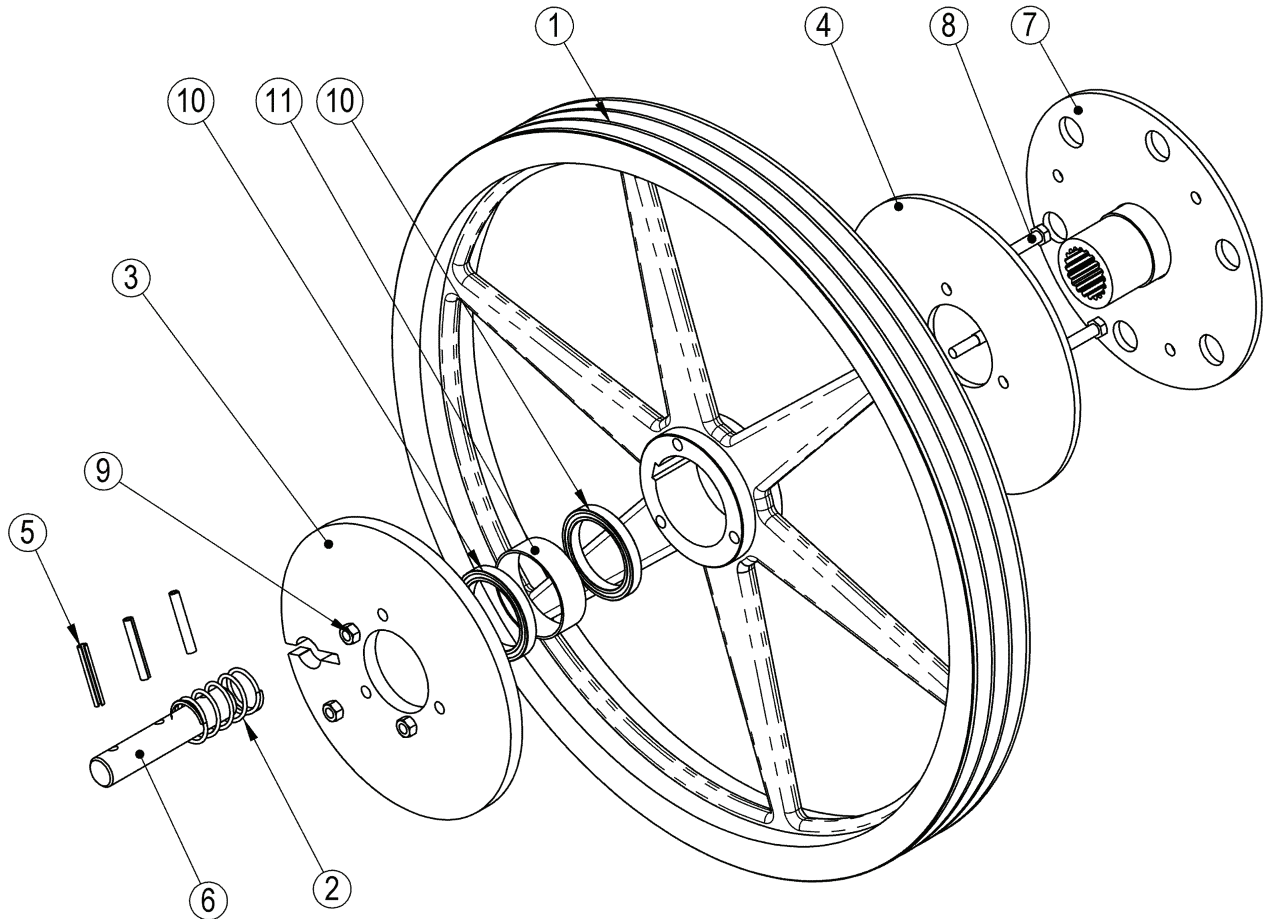
### 4.0 Drive Components

From Serial No: FC65000011

ITEM NO.	PART NO.	DESCRIPTION	QTY.
1	40693	ASSY,CLUTCH FC 650	1
2	41161	ASSY,IDLER,CHOPPER	1
3	E10915	PLT, FC SHEAVE	1
4	E10930	TUBE, BUSHING	1
5	E11481	SPACER,FC650	1
6	33975	DRVBELT,B,125.8,3	1
7	31017	BOLT,HEX,1/2X1-3/4,UNC,GR5,ZP	1
8	31043	BOLT,HEX,3/8X1,UNC,GR5,ZP	2
9	31244	WASHER,LOCK,1/2,ZP	1
10	31176	NUT,NYLOCK,3/8,UNC,ZP	2

---

5.0 Clutch



## Parts Information - Feed Chopper for CFR 650

---

### 5.0 Clutch

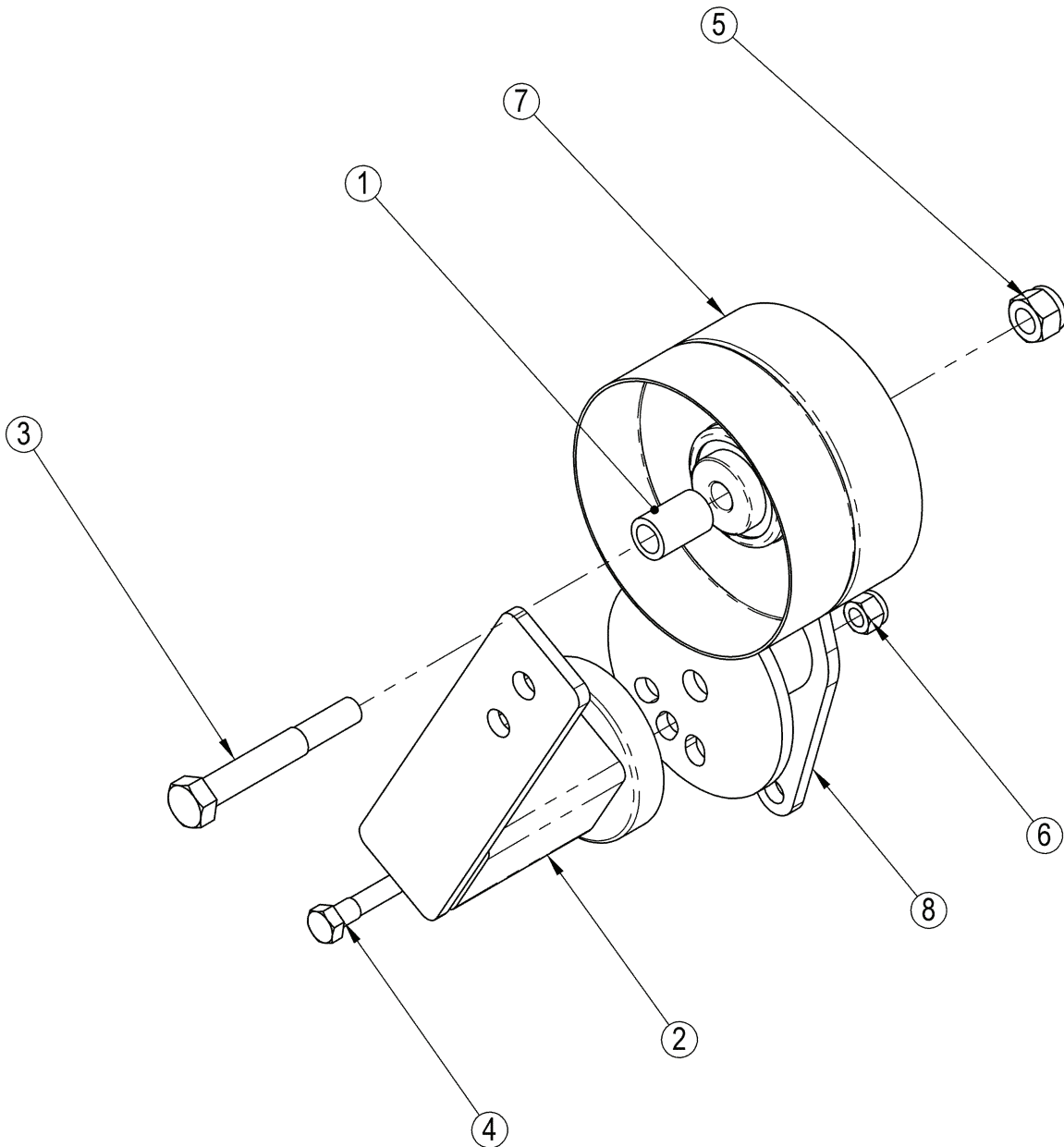
Page 2 of 2

From Serial No: FC65000011

ITEM NO.	PART NO.	DESCRIPTION	QTY.
1	E9978	DRV,SHEAVE,3B,25.0 MACHINED	1
2	31959	SPRING,1.5X2.38X0.12	1
3	E10720	PLATE, CLUTCH OUTER	1
4	E10721	PLATE, CLUTCH, INNER	1
5	33598	PIN,SPRING,5/16x2	3
6	E9993	PIN,1, THREE HOLE	1
7	40694	CLUTCH DISK	1
8	30374	BOLT,HEX,3/8X3,UNC,GR5,ZP	3
9	30368	NUT,STOVER,3/8,UNC,ZP	3
10	34887	BRG,6812	2
11	E10931	SPACER,FC CLUTCH	1

---

6.0 Belt Tensioner



## Parts Information - Feed Chopper for CFR 650

---

Page 2 of 2

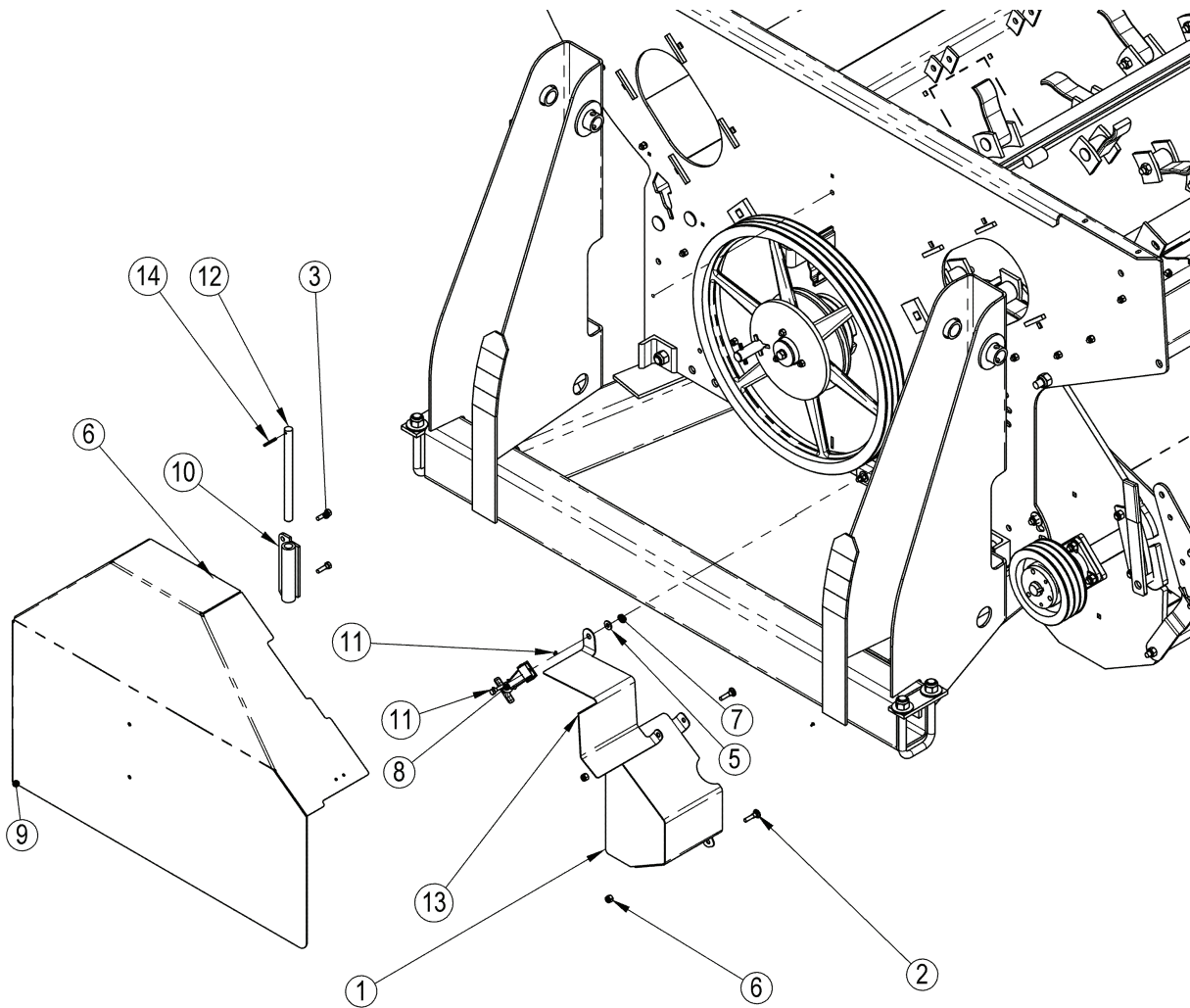
### 6.0 Belt Tensioner

From Serial No: FC65000011

ITEM NO.	PART NO.	DESCRIPTION	QTY.
1	E4987	PIPE,SMLS,3/4X.120X1-1/8L	1
2	30055	DRV, BELT,TENSIONER	1
3	31023	BOLT,HEX,1/2X3-1/2,UNC,GR5,ZP	1
4	31044	BOLT,HEX,3/8X1-1/2,UNC,GR5,ZP	1
5	31173	NUT,NYLOCK,1/2,UNC,ZP	1
6	31176	NUT,NYLOCK,3/8,UNC,ZP	1
7	33593	DRV,IDLER,FLAT,5.0DIA,3.0W,0.5BORE	1
8	41162	FC TENSIONER MOUNT	1

---

7.0 Guarding



## Parts Information - Feed Chopper for CFR 650

---

### 7.0 Guarding

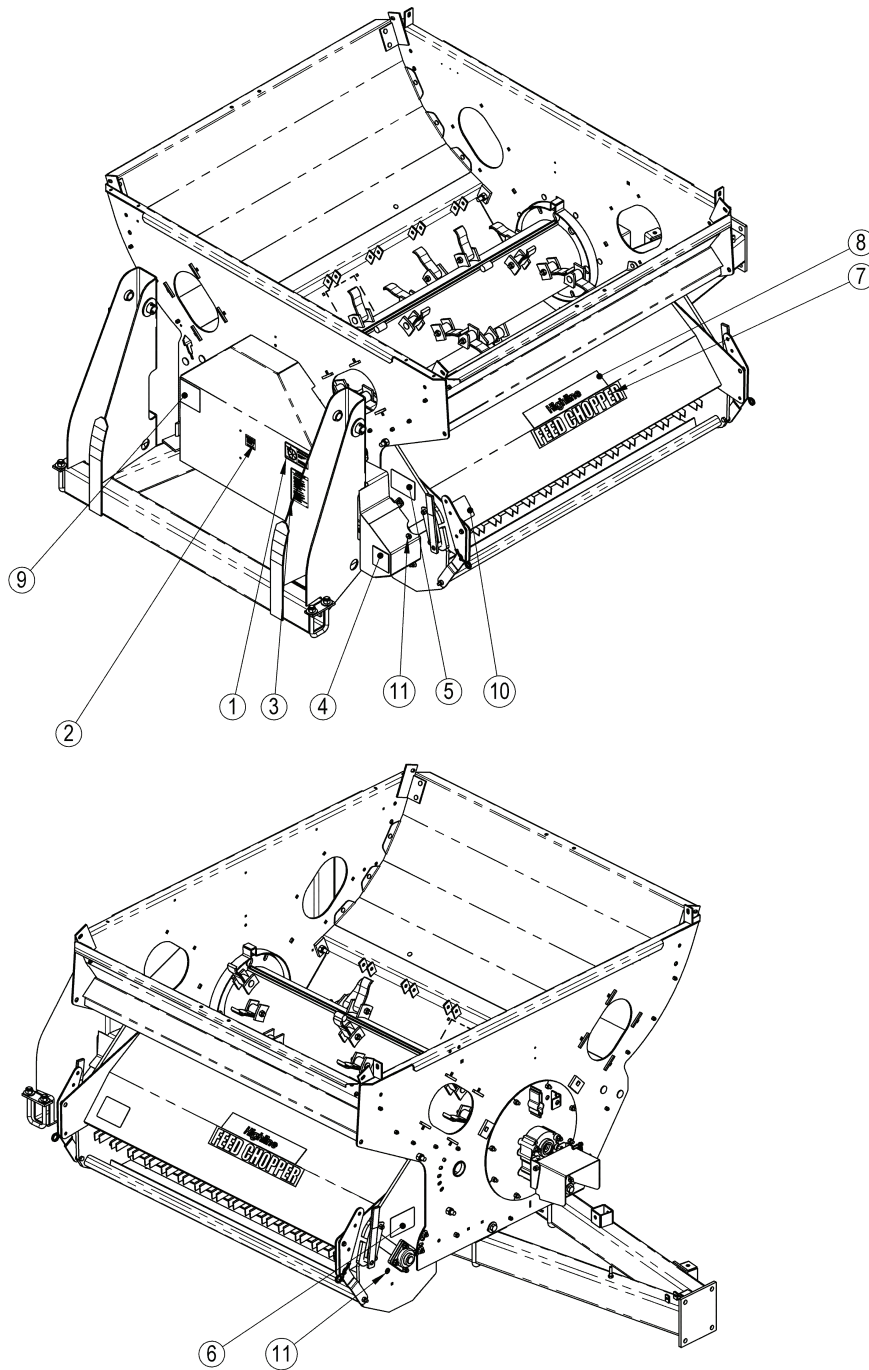
Page 2 of 2

From Serial No: FC65000011

ITEM NO.	PART NO.	DESCRIPTION	QTY.
1	40628	LOWER GUARDING	1
2	31585	BOLT,CARR,3/8X1-1/2,UNC,GR5,ZP	2
3	31479	BOLT,HEX,3/8X1-1/4,UNC,GR5,ZP	2
4	31443	BOLT,HEX,5/16X1-1/4,UNC,GR5,ZP	1
5	31239	WASHER,FLAT,5/16,ZP	1
6	31176	NUT,NYLOCK,3/8,UNC,ZP	4
7	31177	NUT,NYLOCK,5/16,UNC,ZP	1
8	31773	LATCH,RUBBER,3"	1
9	41173	MAIN GUARDING DOOR	1
10	41174	FC 650 GAURD HINGE	1
11	30288	RIVET,ST,1/8X.390,.250HEAD	3
12	E11491	SHAFT, FC GAURD DOOR HINGE	1
13	E11486	SHEET, GAURDING FILLER FC 650	1
14	30197	PIN,SPRING,3/16X1-1/2	1

---

8.0 Decals



## Parts Information - Feed Chopper for CFR 650

---

Page 2 of 2

### 8.0 Decals

From Serial No: FC65000011

ITEM NO.	PART NO.	DESCRIPTION	QTY.
1	E10782	DECAL,WARNING,DOOR CLOSED	1
2	E10783	DECAL,IMPORTANT, DOOR POSITION	1
3	E10784	DECAL,IMPORTANT, CLUTCH OPERATION	1
4	E6627	DECAL,WARNING,MOVING_PART	1
5	E7792	DECAL,DANGER,ROTATING,CHOPPER	1
6	E7793	DECAL,WARNING,VIBRATION	1
7	E8800	DECAL,FEED CHOPPER,3.5X22.13	1
8	E8884	DECAL,HL,3.5X18.75,SWOOSH	1
9	E5857	DECAL,TWINE CUTTER	1
10	30285	DECAL,DANGER,TO PREVENT	1
11	E8591	DECAL,GREASEZERK,10H	2

---

This Page Left Blank

---