

***Feed Chopper
on the
7000 Bale Pro***

**Parts
Manual**



*Feed Chopper
on the
7000 Bale Pro*

**Parts
Manual**

Highline Manufacturing Limited
HWY #27, P.O. Box 307
Vonda, SK S0K 4N0
Canada
Phone: 306.258.2233
Fax: 306.258.2010
Toll Free: 1.800.665.2010

E9980V1

This Page Left Blank

Table of Contents

- 1.0 Feed Chopper Assembly
- 2.0 Tub and MAV Mounts
- 3.0 Filler Plate
- 4.0 Drive Guards
- 5.0 Rotor and Small Sheave Assembly
- 6.0 Rotor Assembly
- 7.0 Large Sheave, Shaft and Belt
- 8.0 Idler Assembly
- 9.0 Axles and Extension
- 10.0 MAV Actuator
- 11.0 Hydraulics
- 12.0 Decals

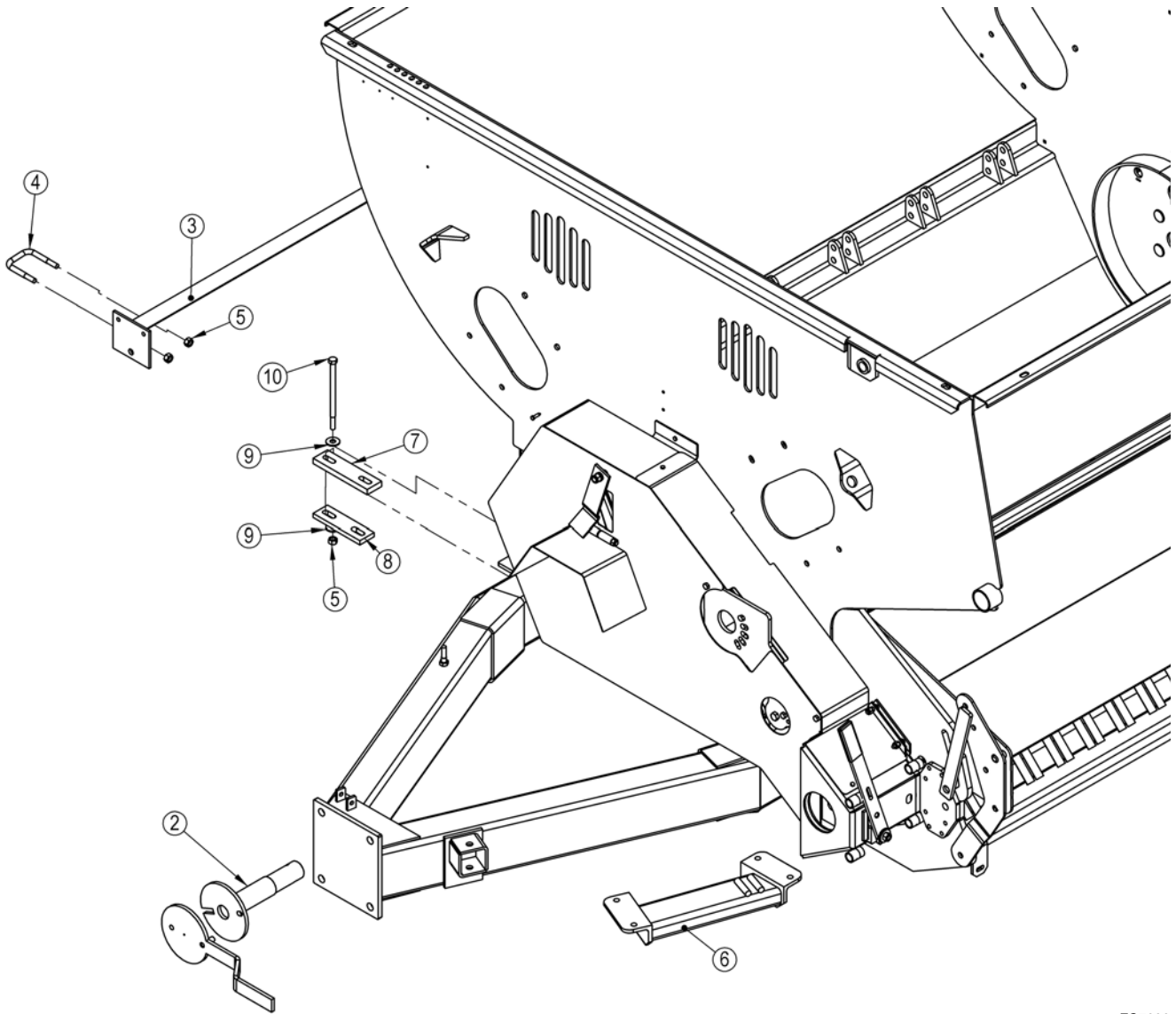
Parts Information - Feed Chopper on 7000 Bale Pro

Page 2 of 2

1.0 Feed Chopper Assembly

ITEM NO.	PART NO.	DESCRIPTION	QTY.
1	40616	FRAME,MOUNT,CHOPPER	1
2	40617	COVER,CHOPPER	1
3	E9951	FLATBAR, 1/2X3X9-1/2L	2
4	E9941	BRKT, DOOR SUPPORT	1
5	E9963	BRKT, DOOR SUPPORT LEFT	1
6	31173	NUT,NYLOCK,1/2,UNC,ZP	8
7	31211	BOLT,CARR,1/2X3-1/2,UNC,GR5,ZP	4
8	33678	BOLT,CARR,1/2X1-3/4,UNC,GR5,ZP	2
9	31017	BOLT,HEX,1/2X1-3/4,UNC,GR5,ZP	2
10	31236	WASHER,FLAT,1/2,ZP	8

2.0 Tub and MAV Mounts



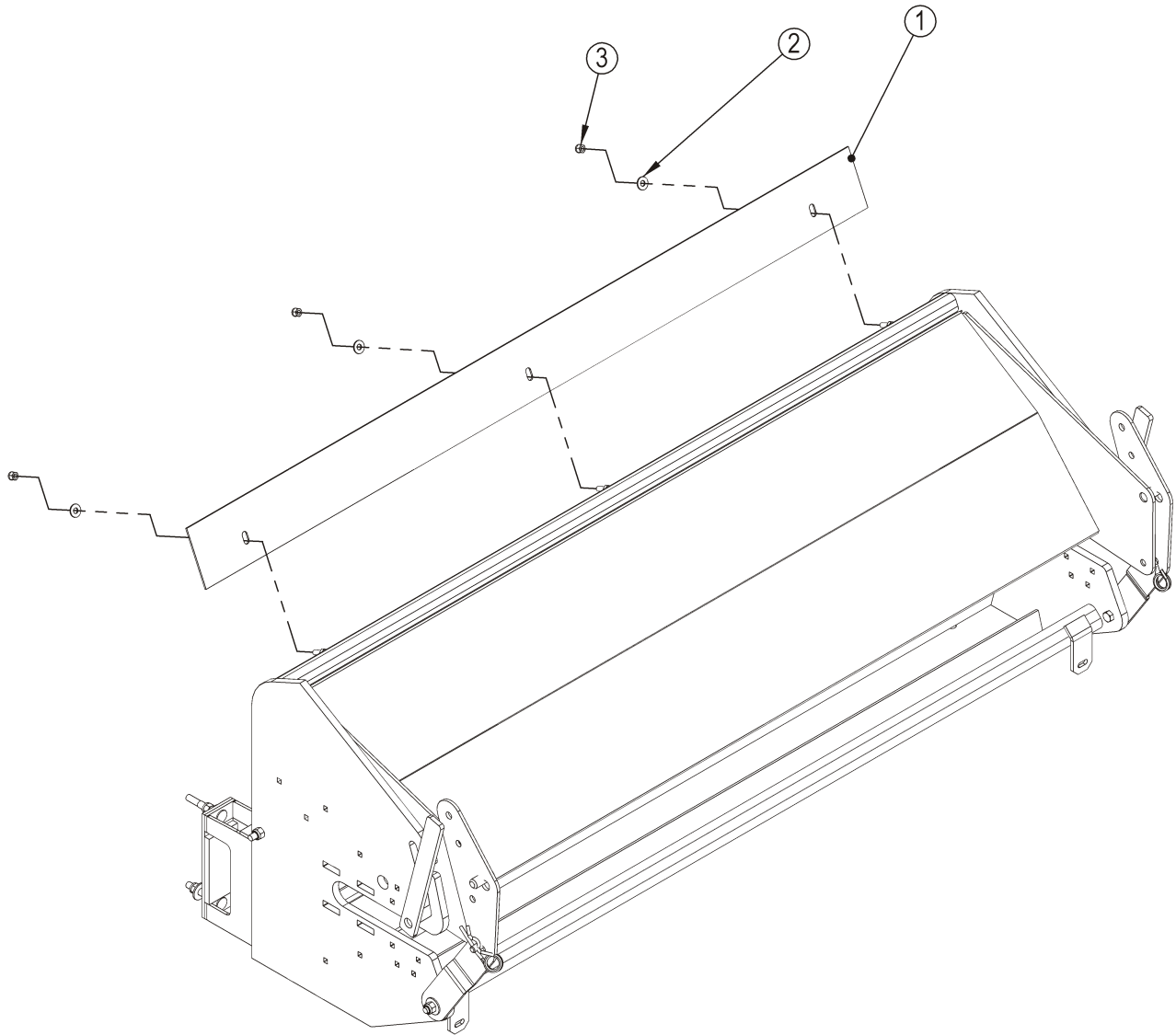
Parts Information - Feed Chopper on 7000 Bale Pro

Page 2 of 2

2.0 Tub and MAV Mounts

ITEM NO.	PART NO.	DESCRIPTION	QTY.
2	40611	FLAIL GUARD HANDLE EXT	1
3	40619	MAV BRACKET	1
4	31438	BOLT,U,SQ,1/2-13,2-1/2X3-1/2	2
5	31173	NUT,NYLOCK,1/2,UNC,ZP	12
6	40620	FRAME STIFFENER	1
7	E9965	PLT, TUB LIFT SPACER	4
8	E9971	FLATBAR, FRAME CLAMP	4
9	31236	WASHER,FLAT,1/2,ZP	16
10	33511	BOLT,HEX,1/2X8,GR5,UNC,ZP	8

3.0 Filler Plate



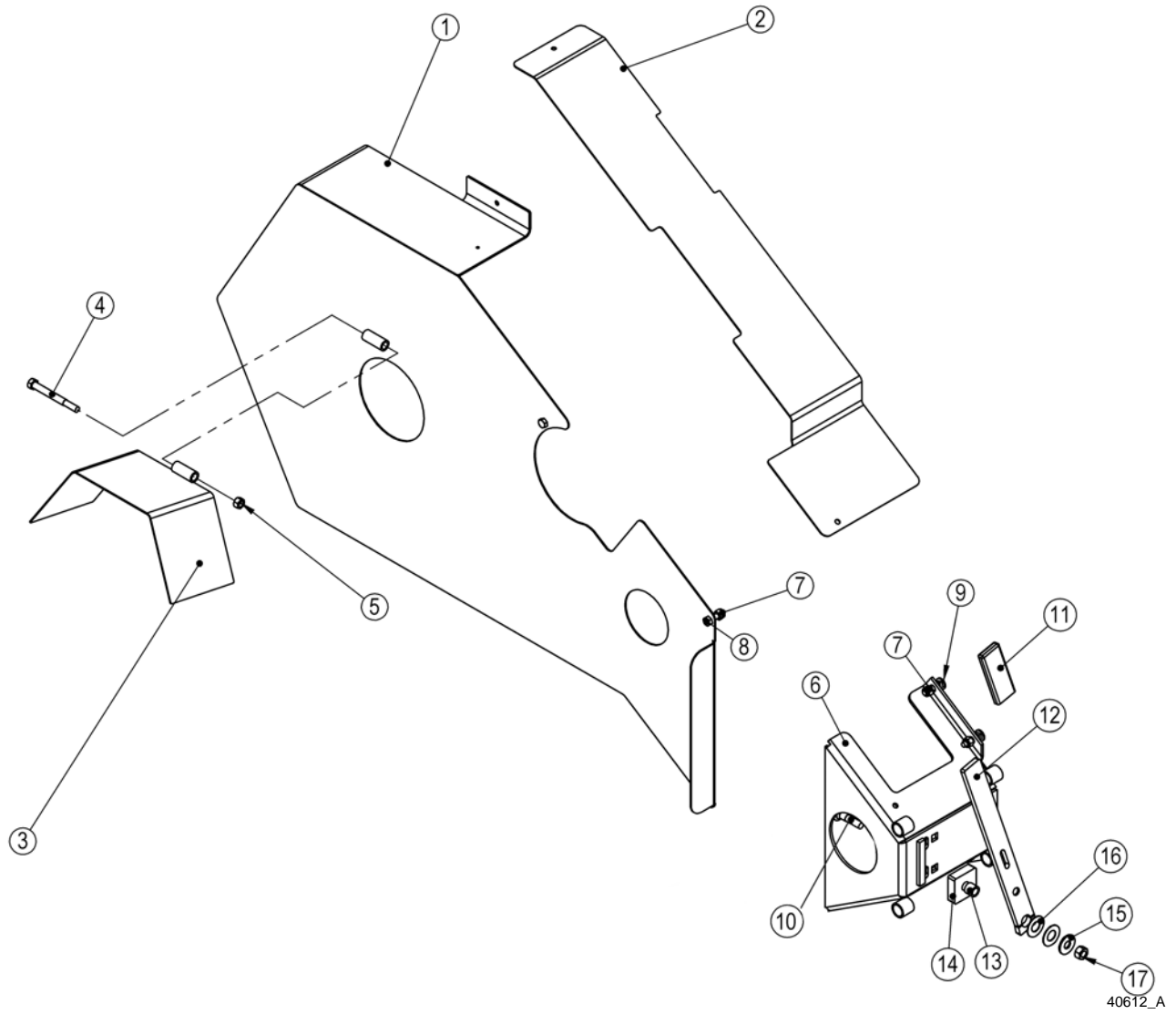
Parts Information - Feed Chopper on 7000 Bale Pro

3.0 Filler Plate

Page 2 of 2

ITEM NO.	PART NO.	DESCRIPTION	QTY.
1	E9972	FLATBAR,1/8X5X70L (only used on Bale Pro's with single tub wall)	1
2	31351	WASHER,FLAT,3/8,ZP	3
3	31176	NUT,NYLOCK,3/8,UNC,ZP	3

4.0 Drive Guards



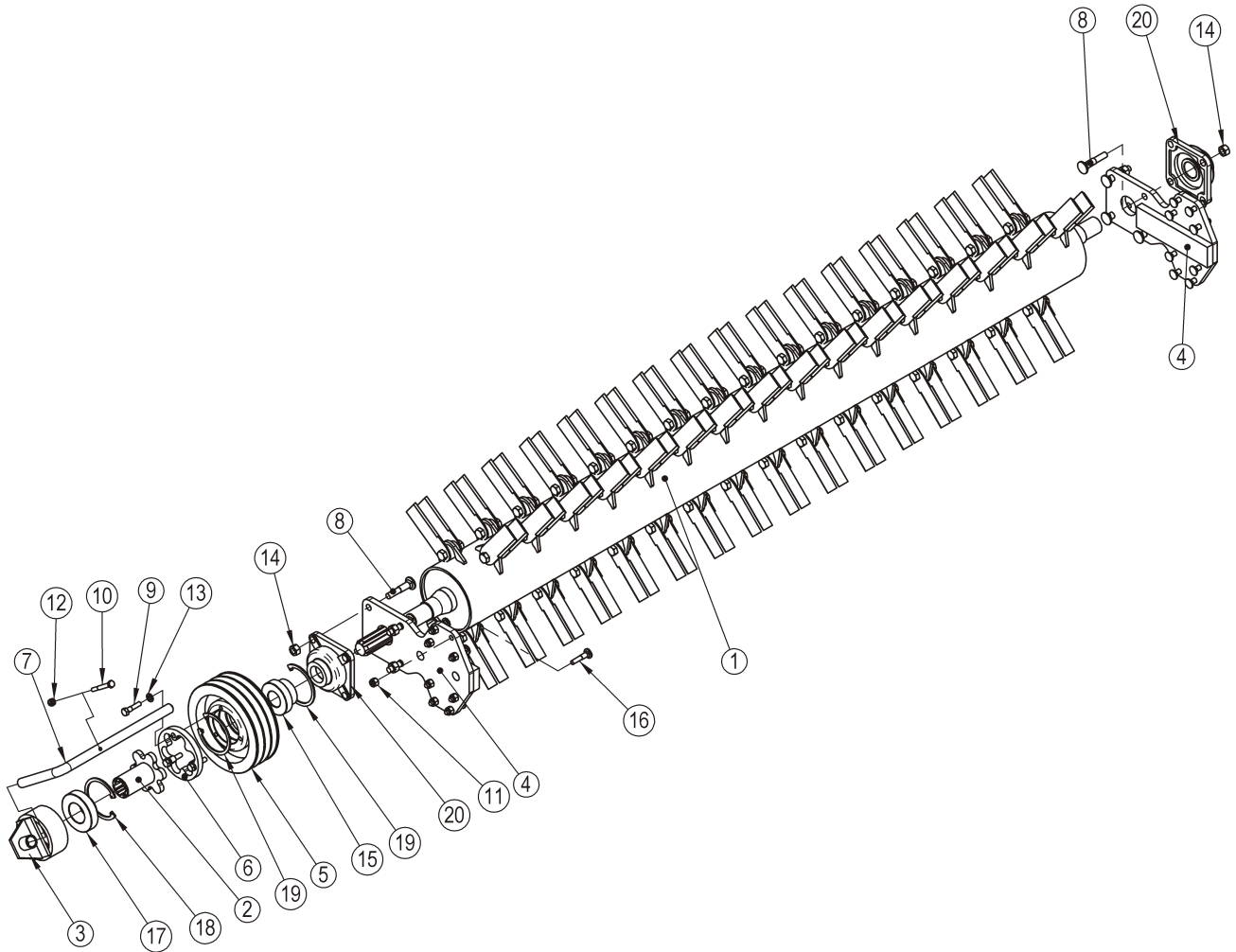
Parts Information - Feed Chopper on 7000 Bale Pro

Page 2 of 2

4.0 Drive Guards

ITEM NO.	PART NO.	DESCRIPTION	QTY.
1	40614	GAURD FRONT FC7000	1
2	E9946	SHT, GAURDING TOP	1
3	40613	PTO GAURD	1
4	31455	BOLT,HEX,7/16X4,UNC,GR5,ZP	1
5	31562	NUT,HEX,7/16,UNC,GR5,ZP	1
6	42220	GUARD,ENGAGE,7.4,FC	1
7	31176	NUT,NYLOCK,3/8,UNC,ZP	6
8	31345	BOLT,HEX,3/8X3/4,UNC,GR5,ZP	2
9	31585	BOLT,CARR,3/8X1-1/2,UNC,GR5,ZP	4
10	31009	BOLT,CARR,1/2X2,UNC,GR5,ZP	1
11	92127	COVER,VINYL,3/8X1-1/2	1
12	50695	HANDLE,ENGAGE,CHOPPER	1
13	E5619	PIPE,SMLS,3/4x.120x5/8L	1
14	E8757	SPACER,ENGAGE,CHOPPER	1
15	31236	WASHER,FLAT,1/2,ZP	1
16	31668	WASHER,SPRING,3/4,342	2
17	31612	NUT,STOVER,1/2,UNC,ZP	1
	30294	SCREW,TEK,1/4X1	4

5.0 Rotor and Small Sheave Assembly



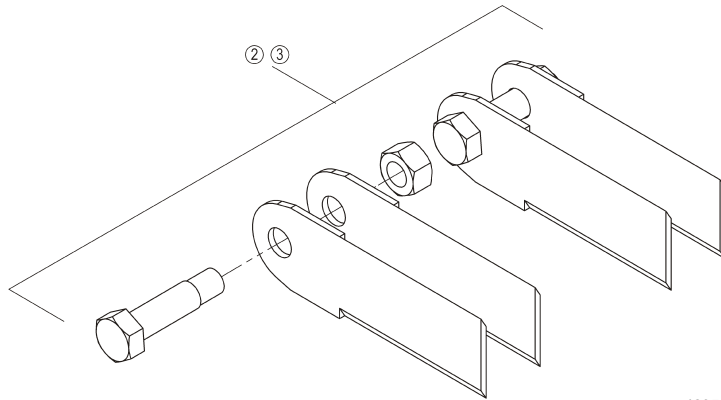
Parts Information - Feed Chopper on 7000 Bale Pro

Page 2 of 2

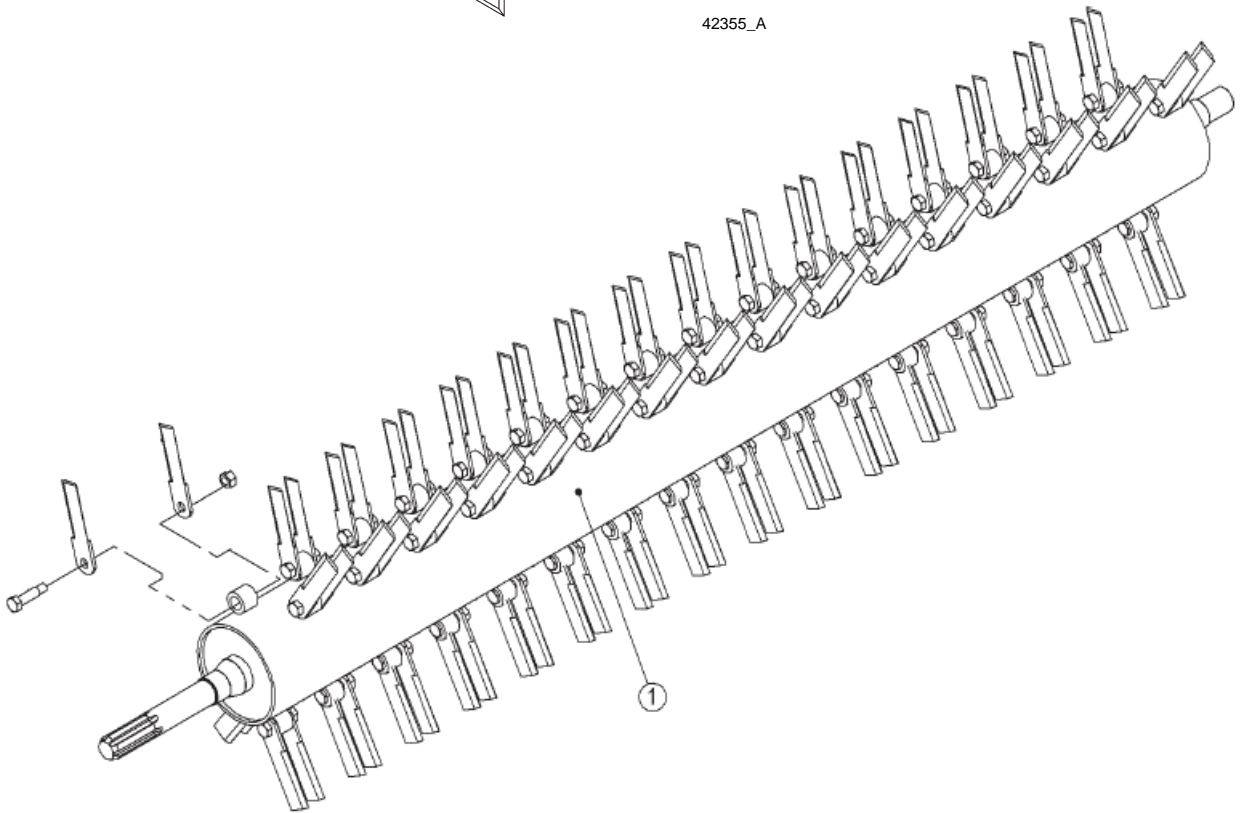
5.0 Rotor and Small Sheave Assembly

ITEM NO.	PART NO.	DESCRIPTION	QTY.
1	42195	ASSY,ROTOR,KNIVES,CHOPPER	1
2	50655	ENGAGE,CLUTCH	1
3	50692	BUSHING,SLIDE,CHOPPER	1
4	50693	FILLER,CHOPPER	2
5	E8766	SHEAVE,3B7.4,MACHINED	1
6	E8768	ENGAGE,HEX,F,CHOPPER	1
7	E8771	SHAFT,ENGAGE,7.4,FC	1
8	31010	BOLT,CARR,1/2X2-1/2,UNC,GR5,ZP	8
9	31044	BOLT,HEX,3/8X1-1/2,UNC,GR5,ZP	3
10	31048	BOLT,HEX,5/16X2-1/2,UNC,GR5,ZP	1
11	31176	NUT,NYLOCK,3/8,UNC,ZP	16
12	31177	NUT,NYLOCK,5/16,UNC,ZP	1
13	31319	WASHER,LOCK,3/8,ZP	3
14	31612	NUT,STOVER,1/2,UNC,ZP	8
15	33561	BRG,INSERT,1-3/8 B,72mmOD	1
16	33597	BOLT,CARR,3/8X1-3/4,UNC,GR5,ZP	16
17	33656	BEARING,INSRT,1-3/4 B,85mmOD	1
18	33749	SNAPRING,3-1/4,INTERNAL	1
19	34002	SNAPRING,2-7/8,INTERNAL	2
20	92094	DRV, BRG, FLANGE, 1-3/8"	2

6.0 Rotor Assembly



42355_A



50689_I

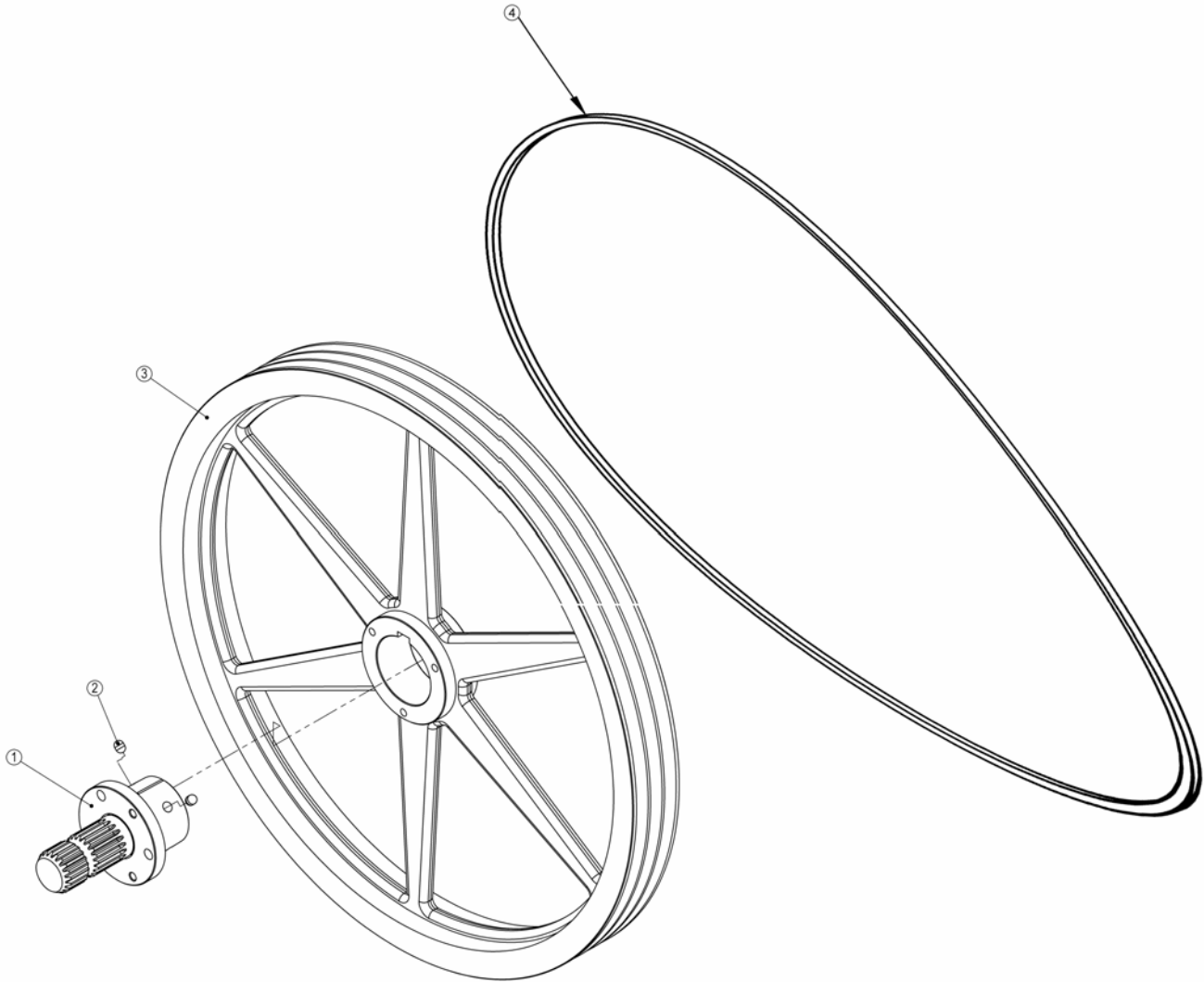
Parts Information - Feed Chopper on 7000 Bale Pro

6.0 Rotor Assembly

Page 2 of 2

ITEM NO.	PART NO.	DESCRIPTION	QTY.
1	50688	ROTOR,,CHOPPER	1
2	50655	ASSY,KNIVES (Contains 4 knives,2 bolts, 2 nuts)	32
3	40627	ASSY,KNIVES, 128 BLADES (Contains 128 knives,64 bolts,64 nuts for complete rotor)	1

7.0 Large Sheave, Shaft and Belt



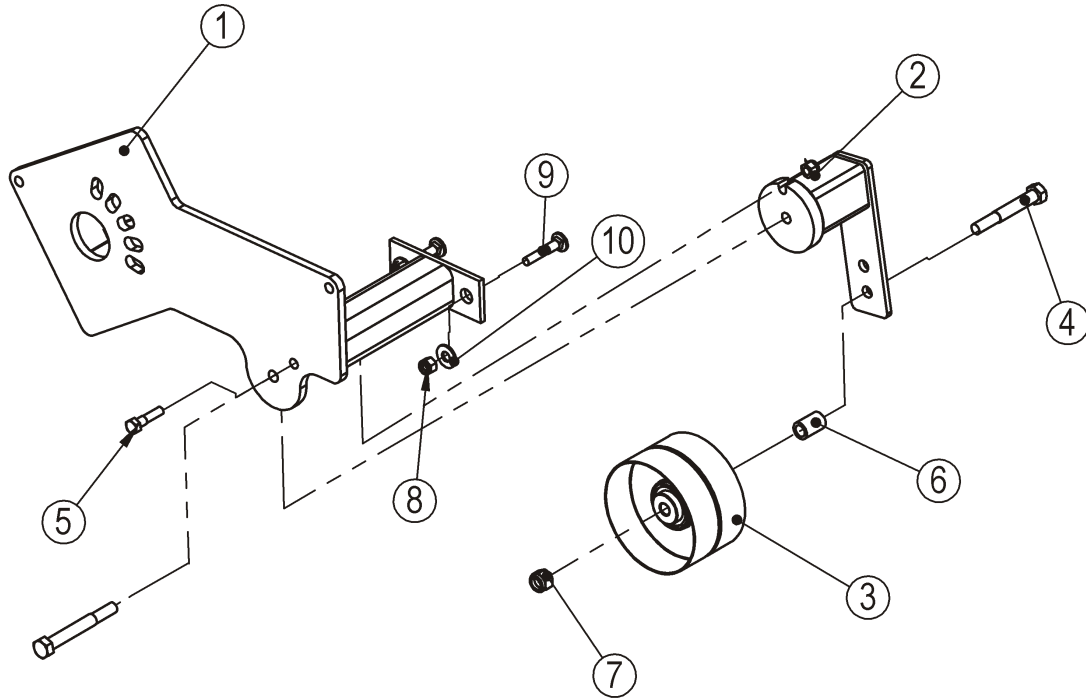
Parts Information - Feed Chopper on 7000 Bale Pro

Page 2 of 2

7.0 Large Sheave, Shaft and Belt

ITEM NO.	PART NO.	DESCRIPTION	QTY.
1	40615	DRIVE,FEEDCHOPPER	1
2	E9967	SHAFT PLUG	4
3	33579	DRV,SHEAVE,3B,25.0,Q1	1
4	33975	DRVBELT,B,125.8,3	1

8.0 Idler Assembly



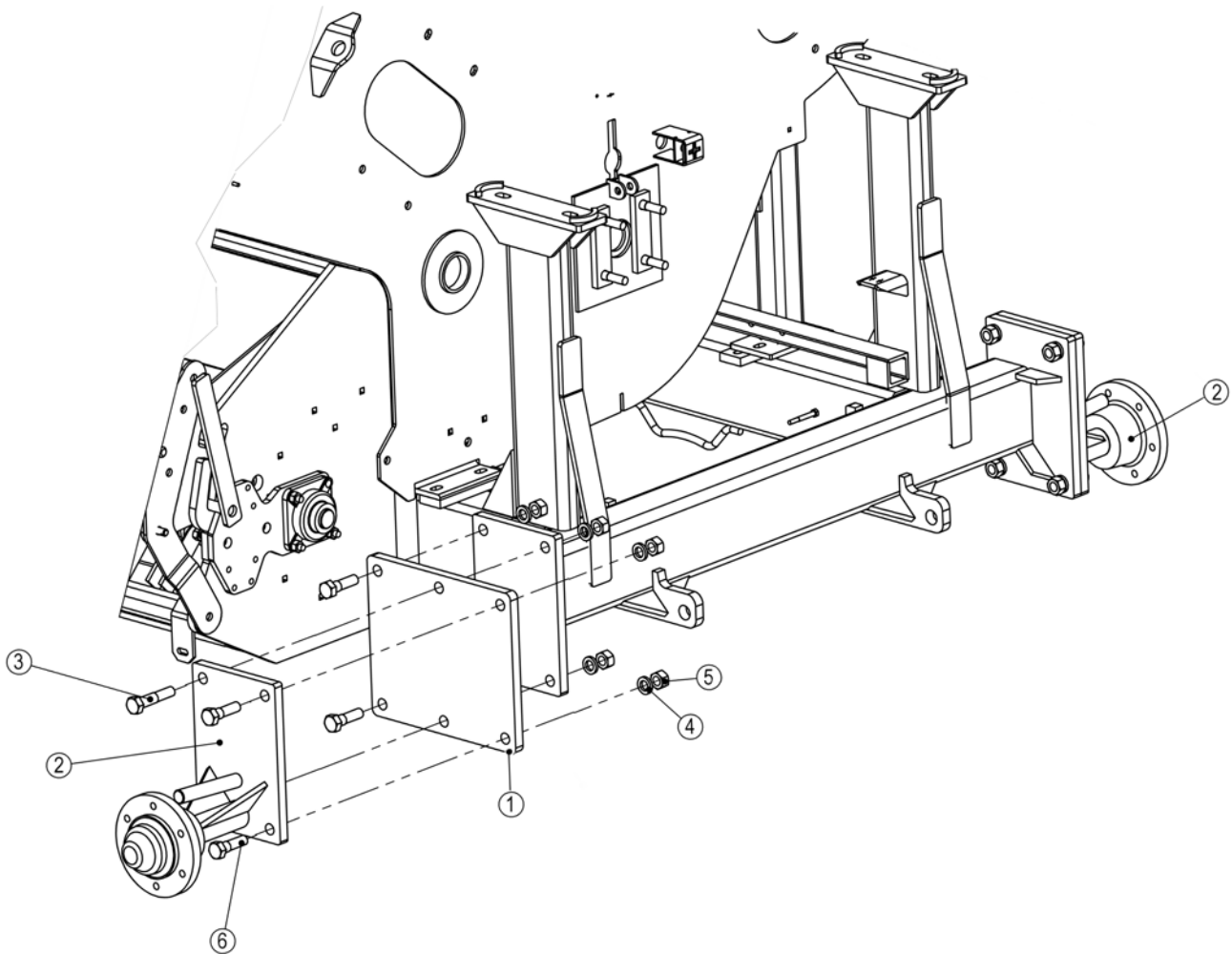
Parts Information - Feed Chopper on 7000 Bale Pro

8.0 Idler Assembly

Page 2 of 2

ITEM NO.	PART NO.	DESCRIPTION	QTY.
1	40618	IDLER ATTACHMENT	1
2	30055	DRV, BELT, TENSIONER	1
3	33593	DRV, IDLER, FLAT, 5.0DIA, 3.0W, 0.5BORE	1
4	31023	BOLT, HEX, 1/2X3-1/2, UNC, GR5, ZP	1
5	31044	BOLT, HEX, 3/8X1-1/2, UNC, GR5, ZP	1
6	E4987	PIPE, BUSHING, IDLER, CHOPPER	1
7	31173	NUT, NYLOCK, 1/2, UNC, ZP	1
8	31176	NUT, NYLOCK, 3/8, UNC, ZP	3
9	31424	BOLT, CARR, 3/8X2, UNC, GR5, ZP	2
10	31351	WASHER, FLAT, 3/8, ZP	2

9.0 Axles and Extension



Parts Information - Feed Chopper on 7000 Bale Pro

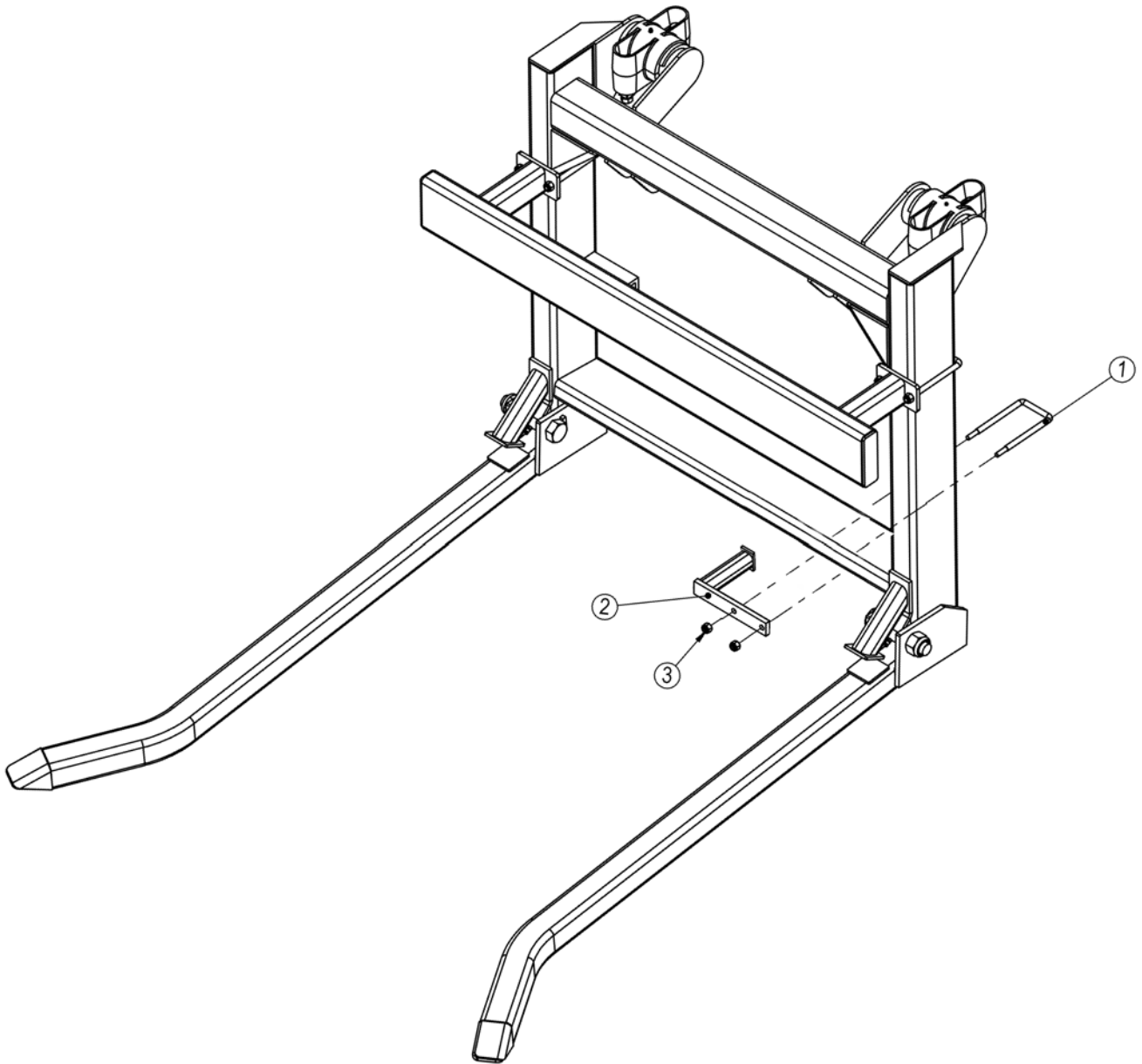
Page 2 of 2

9.0 Axles and Extension

ITEM	PART NO.	DESCRIPTION	QTY.
1	E9964	PLT, AXLE OFFSET	1
2	45081	SUSP,AXLE,CW HUB (only used with 11L15 Tires)	2
3	31340	BOLT,HEX,3/4X3-1/2,UNC,GR5,ZP	2
4	31246	WASHER,LOCK,3/4,ZP	10
5	31167	NUT,HEX,3/4,UNC,GR5,ZP	10
6	31040	BOLT,HEX,3/4X2-1/2,UNC,GR5,ZP	8

10.0 MAV Actuator

Page 1 of 2



109149

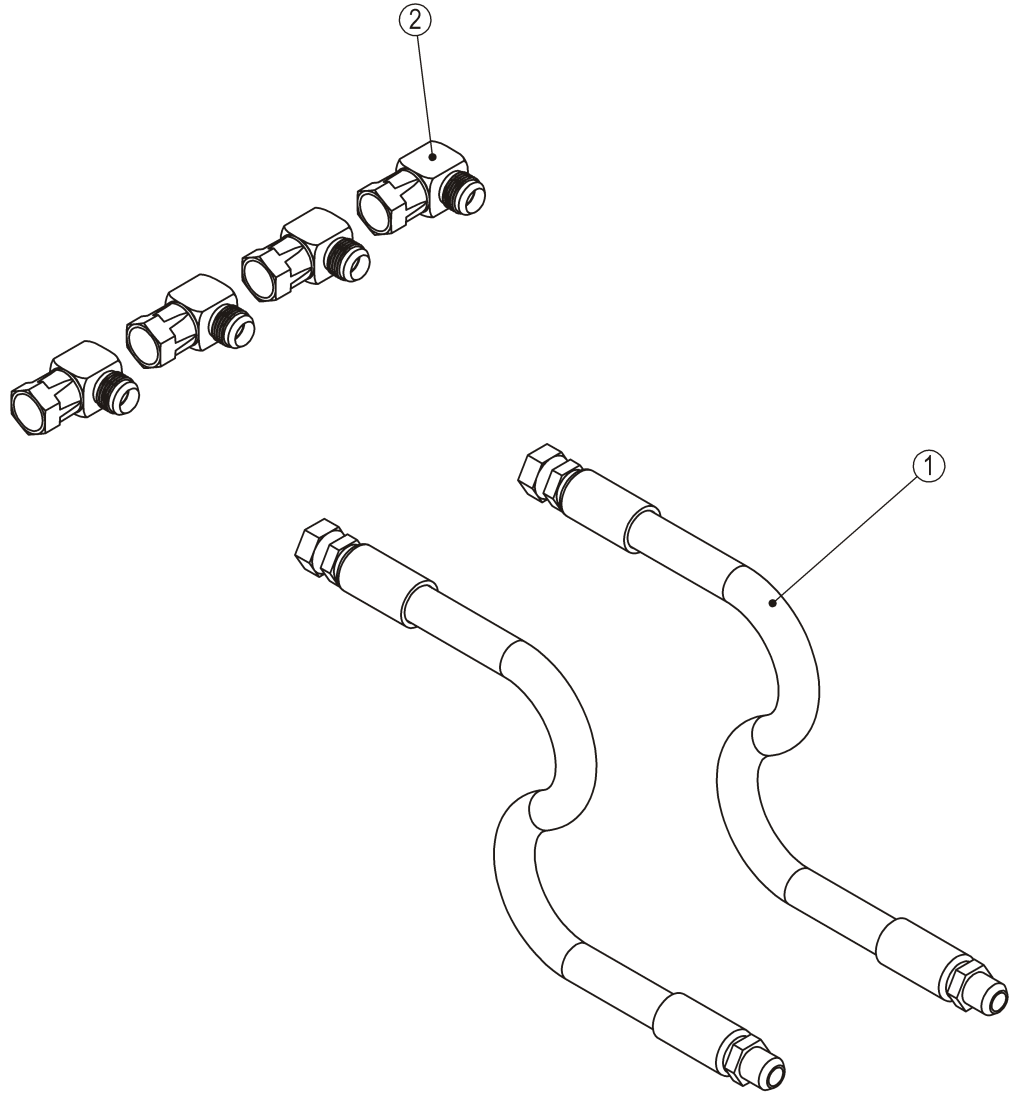
Parts Information - Feed Chopper on 7000 Bale Pro

10.0 MAV Actuator

Page 2 of 2

ITEM NO.	PART NO.	DESCRIPTION	QTY.
1	40625	MAV ACTUATOR	1
2	31061	BOLT,U,SQ,1/2-13,3X7-1/4	1
3	31173	NUT,NYLOCK,1/2,UNC,ZP	2

11.0 Hydraulics



109150

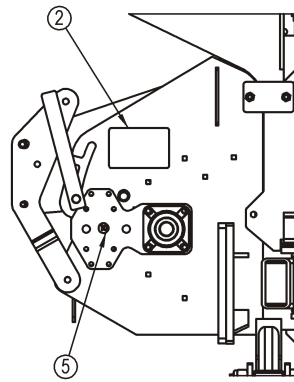
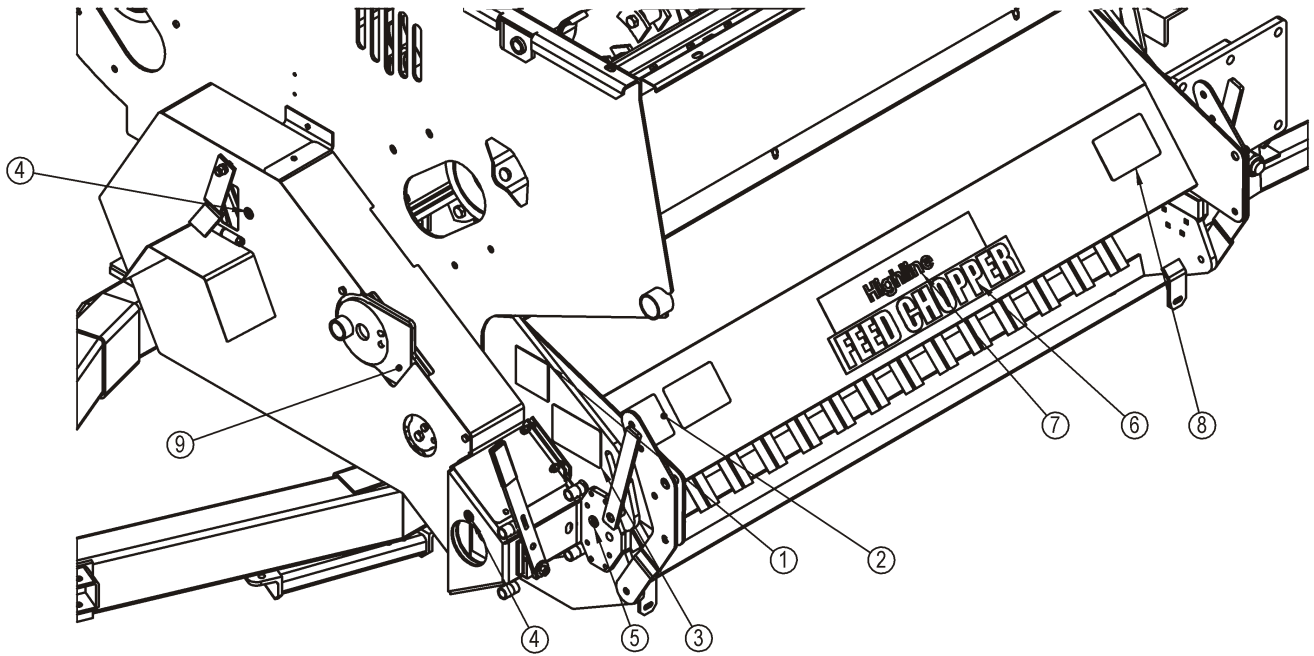
Parts Information - Feed Chopper on 7000 Bale Pro

11.0 Hydraulics

Page 2 of 2

ITEM NO.	PART NO.	DESCRIPTION	QTY.
1	34007	HYD,HOSE,3/8X174,8FJX-8MJ,2W	2
2	30436	HYD,FIT,ELBOW,8FJX-8MJ90	4

12.0 Decals



40632_A

Rear End Plate

40632_A

Parts Information - Feed Chopper on 7000 Bale Pro

12.0 Decals

Page 2 of 2

ITEM NO.	PART NO.	DESCRIPTION	QTY.
1	E6627	DECAL,WARNING,MOVING_PART	1
2	E7792	DECAL,DANGER,ROTATING,CHOPPER	2
3	E7793	DECAL,WARNING,VIBRATION	1
4	E8590	DECAL,GREASEZERK,50H	2
5	E8591	DECAL,GREASEZERK,10H	2
6	E8800	DECAL,FEED CHOPPER,3.5X22.13	1
7	E8884	DECAL,HL,3.5X18.75,SWOOSH	1
8	30285	DECAL,DANGER,TO PREVENT	2
9	E6402	DECAL,ROD ADJ,HD	1

This Page Left Blank
